

# SGS ELEMENT

## Element Frameless Double Bypass Glass Fabrication

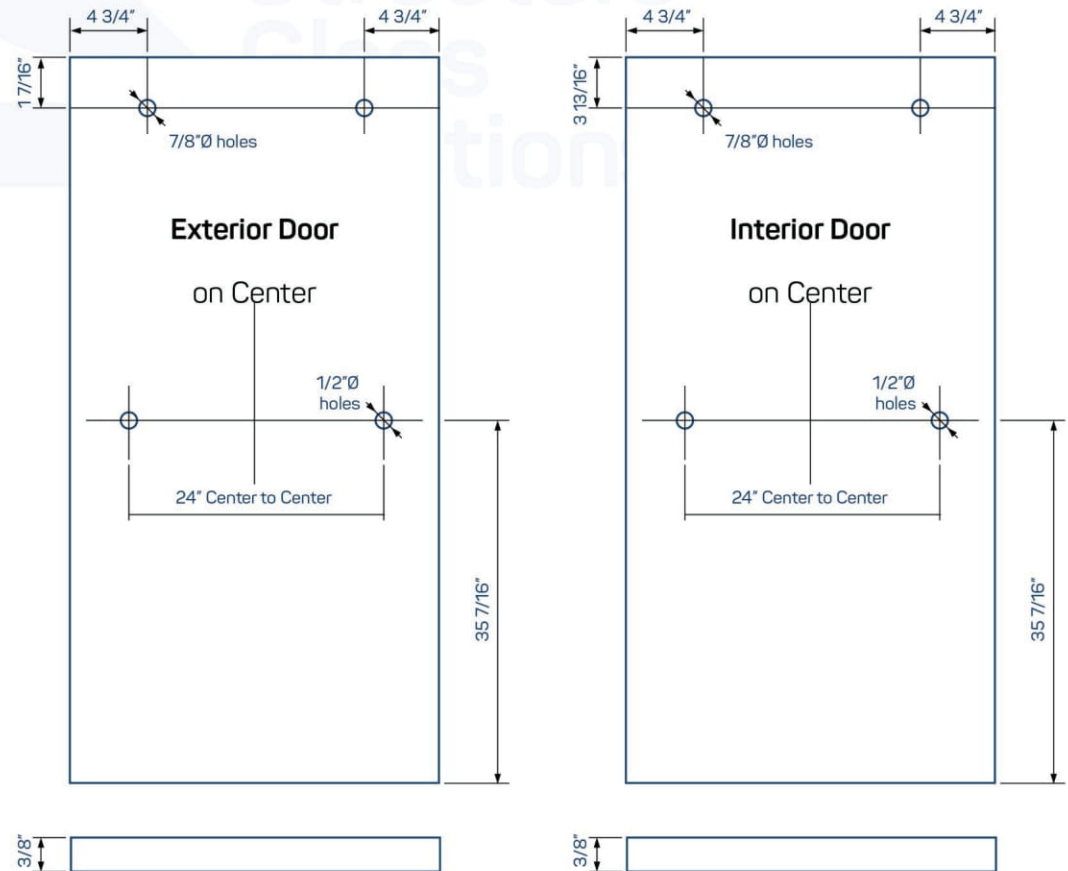
### RECOMMENDATIONS:

Use only tempered safety glass.

Do not use power tools for tightening the hinge clamping plate

### MAINTENANCE GUIDELINES:

You should never apply an abrasive cleaner on hardware. Drying the hardware with a soft towel after each use is the most effective way to get the most out of our hardware. To clean our hardware a little bit of mild dish soap and warm water should be applied using a non-abrasive cloth or towel. Rinse with clean warm water and then dry. Doing this after each use will ensure the longest life possible for the hardware. Leave the shower door slightly open to allow air to circulate; this will discourage the growth of mildew. Another important cleaning technique for shower doors is to squeegee after showering. It removes excess moisture from the shower and avoids water spots that can be difficult and almost impossible to remove. A plastic squeegee is best because metal could damage a shower.



### SPECIFICATIONS

Min. Curb Width = 3 3/8"

Height of Header track = Overall height - 4 13/16" (See page 6)

### GLASS SIZE FORMULA

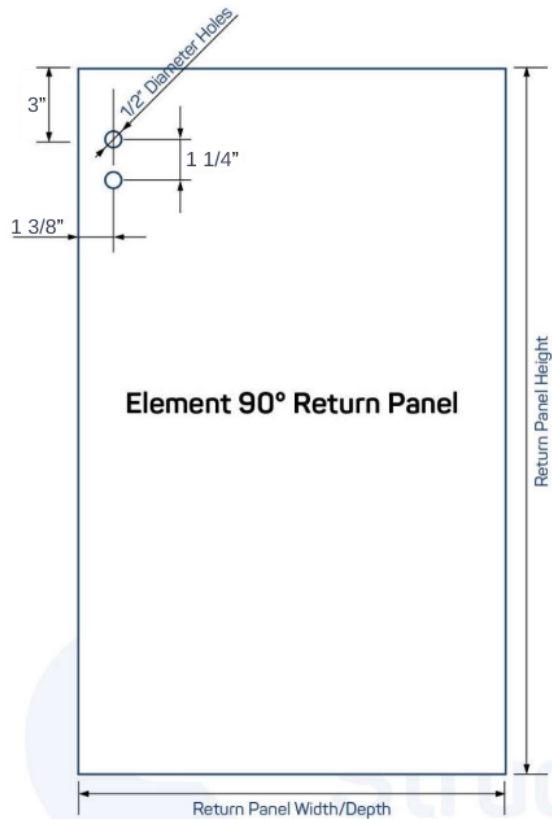
Suggested Glass Height = Overall Height - 3/8"

Suggested Glass Width = (Overall Width / 2) + 1" On each panel for an overall overlap of 2"

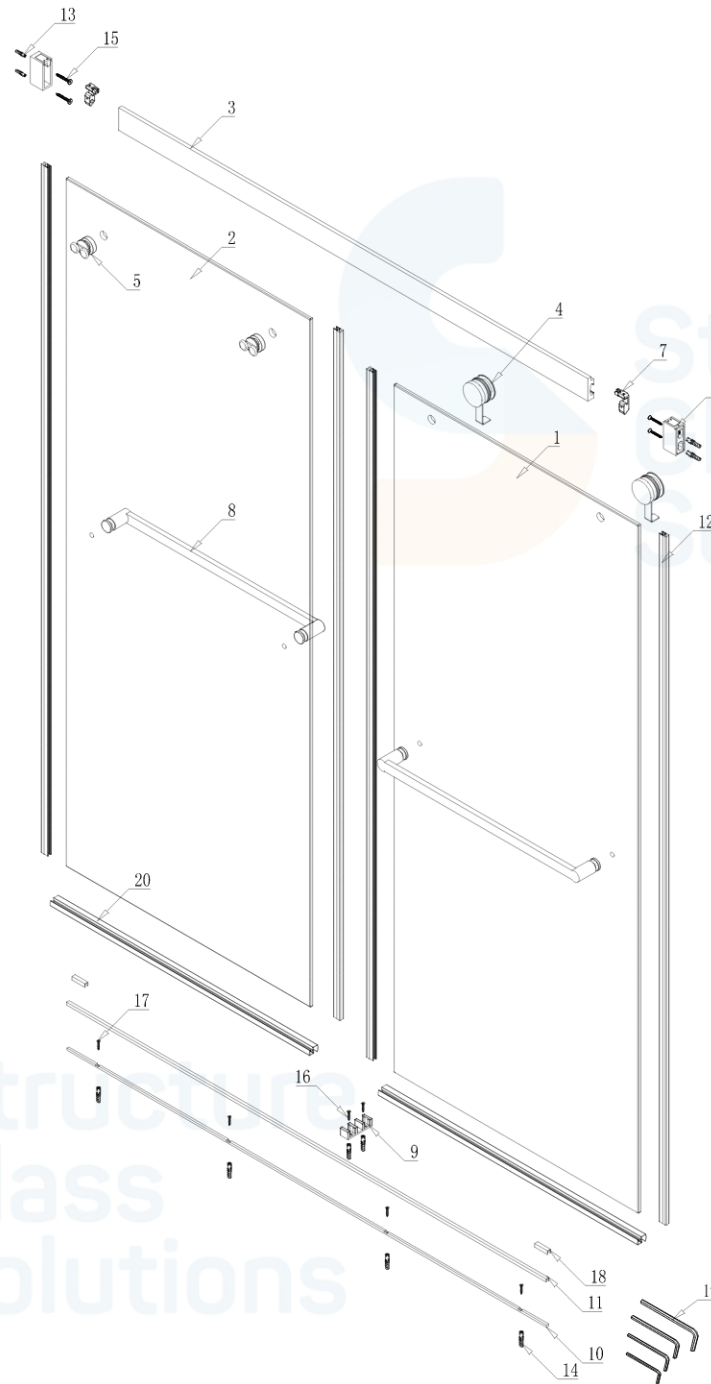


# SGS ELEMENT

## Element Frameless Double Bypass Glass Fabrication



GUIDER RAIL 1PC	EXTERIOR ROLLER 2PC	INTERIOR ROLLER 4PC	WALL BRACKET 2PC
HANDLE 2PC	BOTTOM GUIDE 1PC	BUMPER STRIP 4PC	ANCHOR 6PC
ANCHOR 6PC	SCREW 4PC	THRESHOLD 1PC	THRESHOLD COVER 1PC
SCREW 6PC	SCREW 2PC	DOOR STOPPER 2PC	BOTTOM SWEEP 2PC

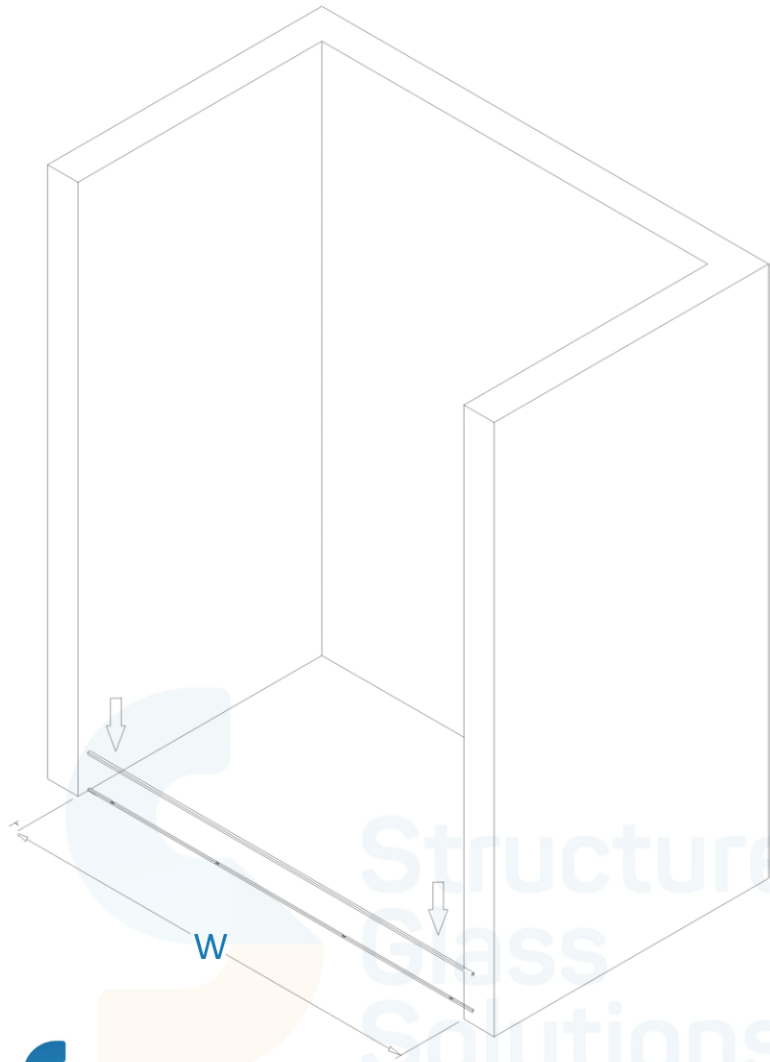


- |                     |     |
|---------------------|-----|
| 1. EXTERIOR DOOR    | 1PC |
| 2. INTERIOR DOOR    | 1PC |
| 3. GUIDER RAIL      | 1PC |
| 4. EXTERIOR ROLLER  | 2PC |
| 5. INTERIOR ROLLER  | 2PC |
| 6. WALL BRACKET     | 2PC |
| 7. DOOR STOPPER     | 2PC |
| 8. HANDLE           | 2PC |
| 9. BOTTOM GUIDER    | 2PC |
| 10. THRESHOLD       | 1PC |
| 11. THRESHOLD COVER | 1PC |
| 12. BUMPER STRIP    | 4PC |
| 13. ANCHOR          | 6PC |
| 14. ANCHOR          | 6PC |
| 15. SCREW M5X40     | 6PC |
| 16. SCREW M4X25     | 2PC |
| 17. SCREW           | 4PC |
| 18. COVER           | 2PC |
| 19. HEX KEY         | 2PC |
| 20. BOTTOM SWEEP    | 2PC |

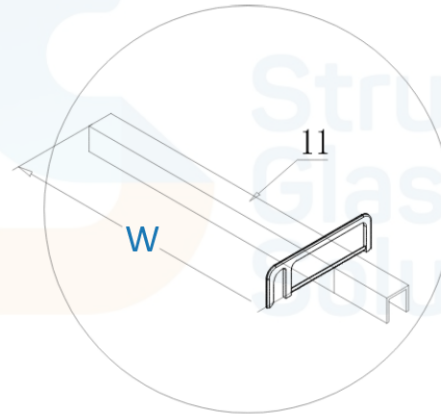


# THRESHOLD INSTALLATION

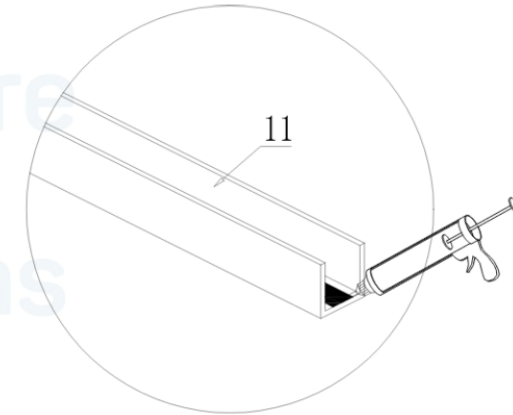
1. THRESHOLD COVER GOES ON TOP OF THE THRESHOLD



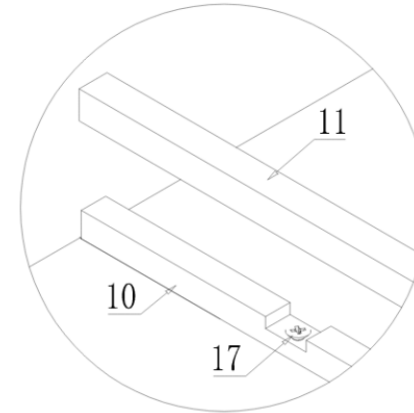
2. CUT THRESHOLD COVER TO OVERALL OPENING WIDTH (W)



3. APPLY SILICONE TO THE INSIDE OF THRESHOLD COVER

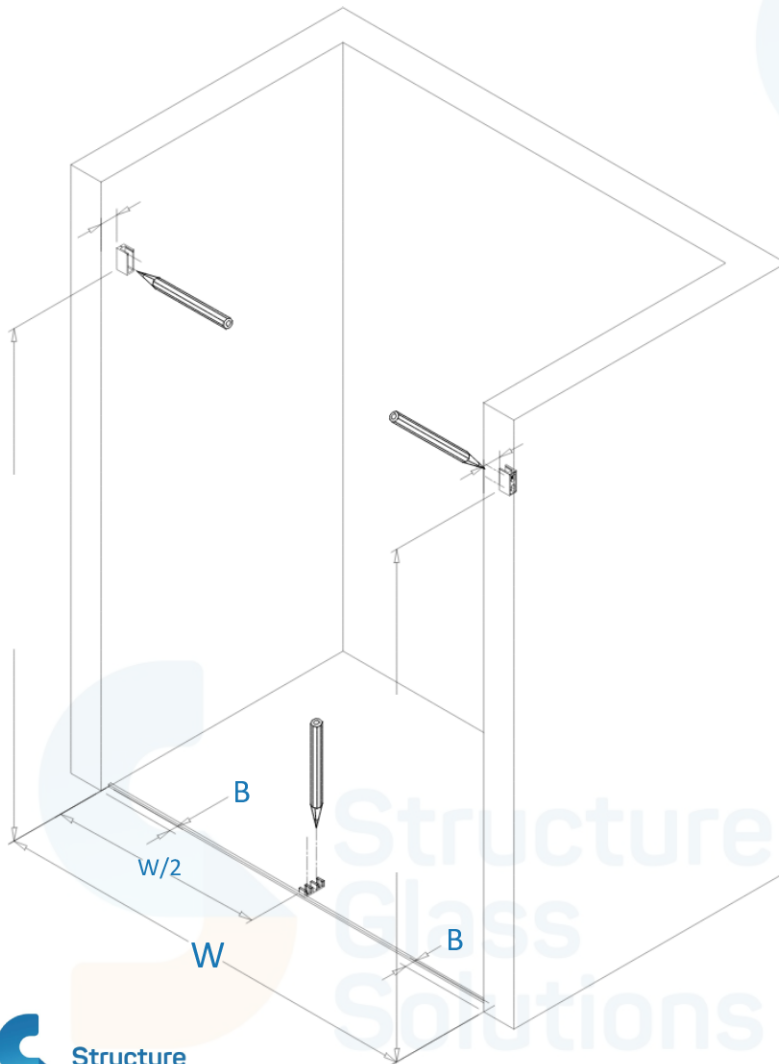


4. COVER THE THRESHOLD WITH THE THRESHOLD COVER.

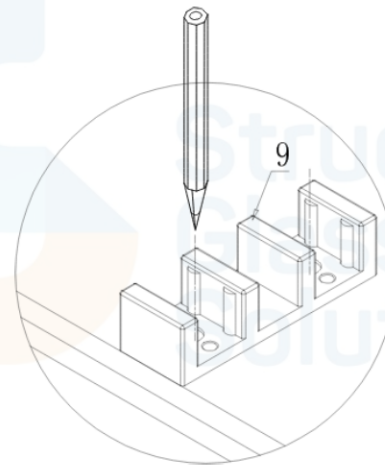


# BOTTOM GUIDE INSTALLATION

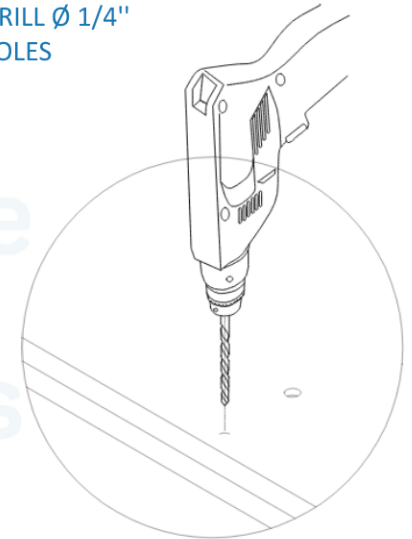
1. LOCATE BOTTOM GUIDE AGAINST THE CENTER OF THE THRESHOLD.



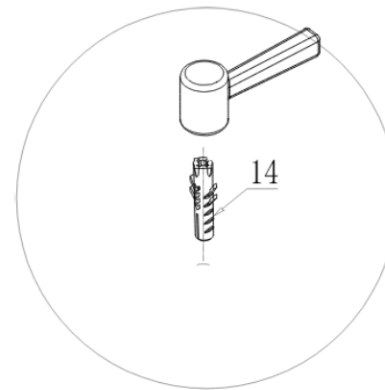
2. MARK LOCATION OF THE HOLES



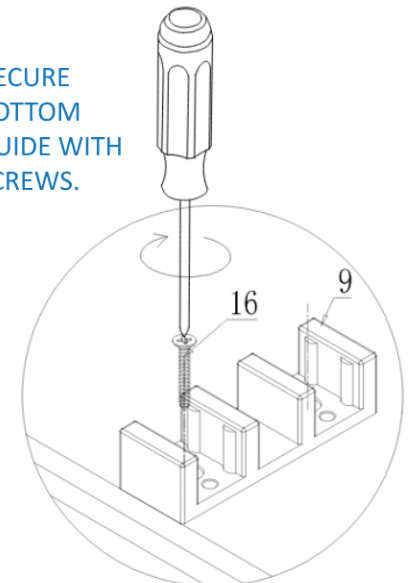
3. DRILL  $\varnothing$  1/4" HOLES



4. HAMMER IN  $\varnothing$  1/4" ANCHORS IN HOLES

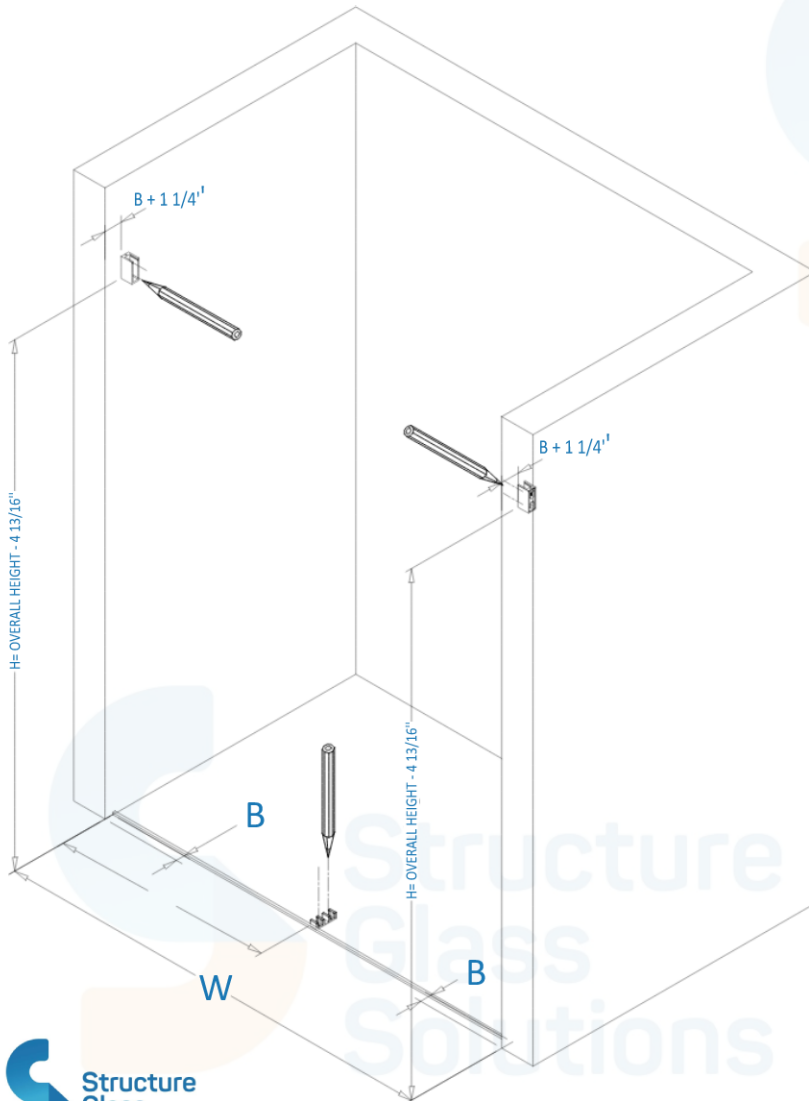


5. SECURE BOTTOM GUIDE WITH SCREWS.

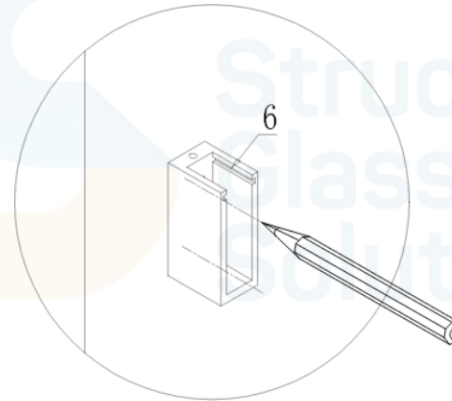


# HEADER TRACK INSTALLATION

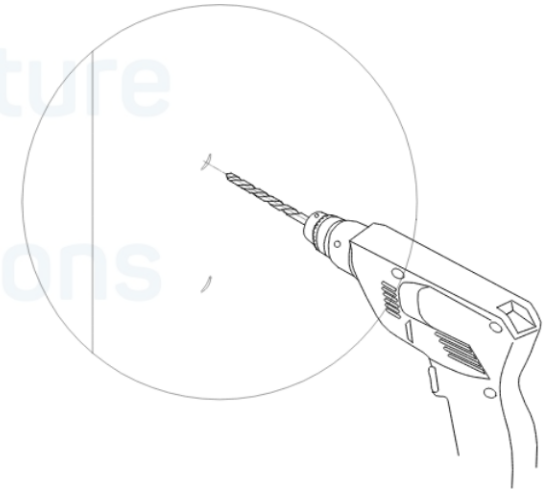
1. LOCATE WALL BRACKETS IN PLACE.



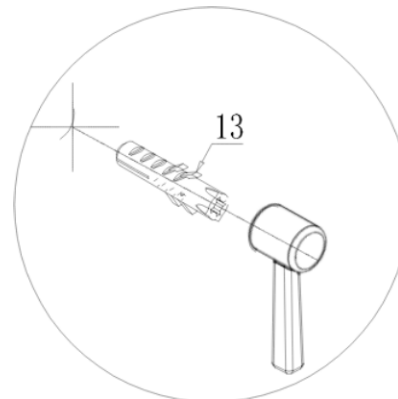
2. MARK LOCATION OF THE HOLES



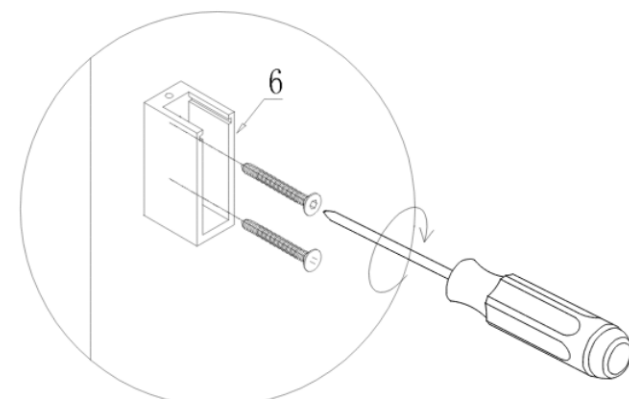
3. DRILL  $\varnothing 1/4"$  HOLES



4. HAMMER IN  $\varnothing 1/4"$  ANCHORS IN HOLES



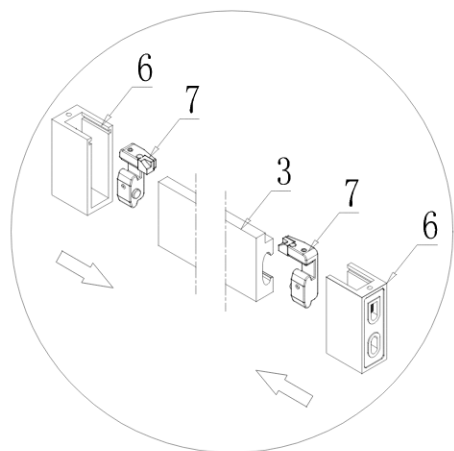
5. SECURE WALL BRACKET WITH SCREWS.



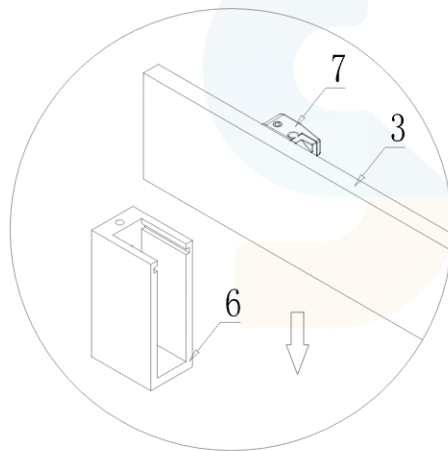


# HEADER TRACK INSTALLATION

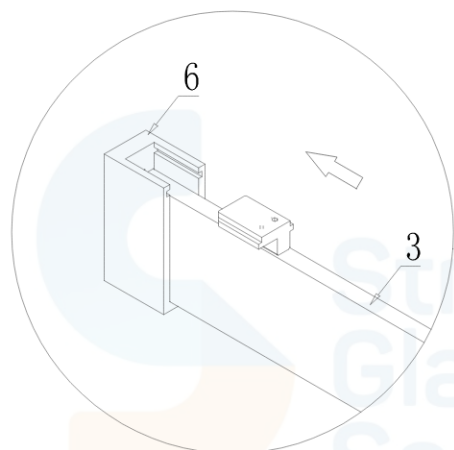
1. SLIDE DOORS STOPPERS INTO THE HEADER TRACK.



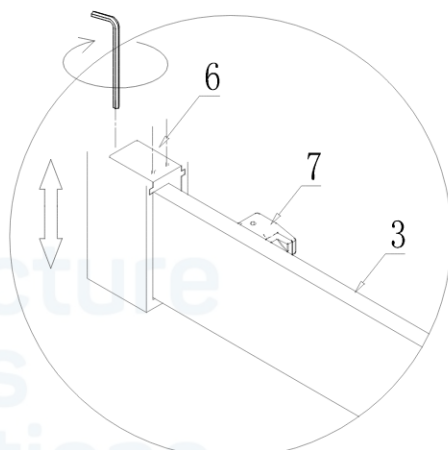
2. SLIDE HEADER TRACK ONTO THE WALL BRACKETS



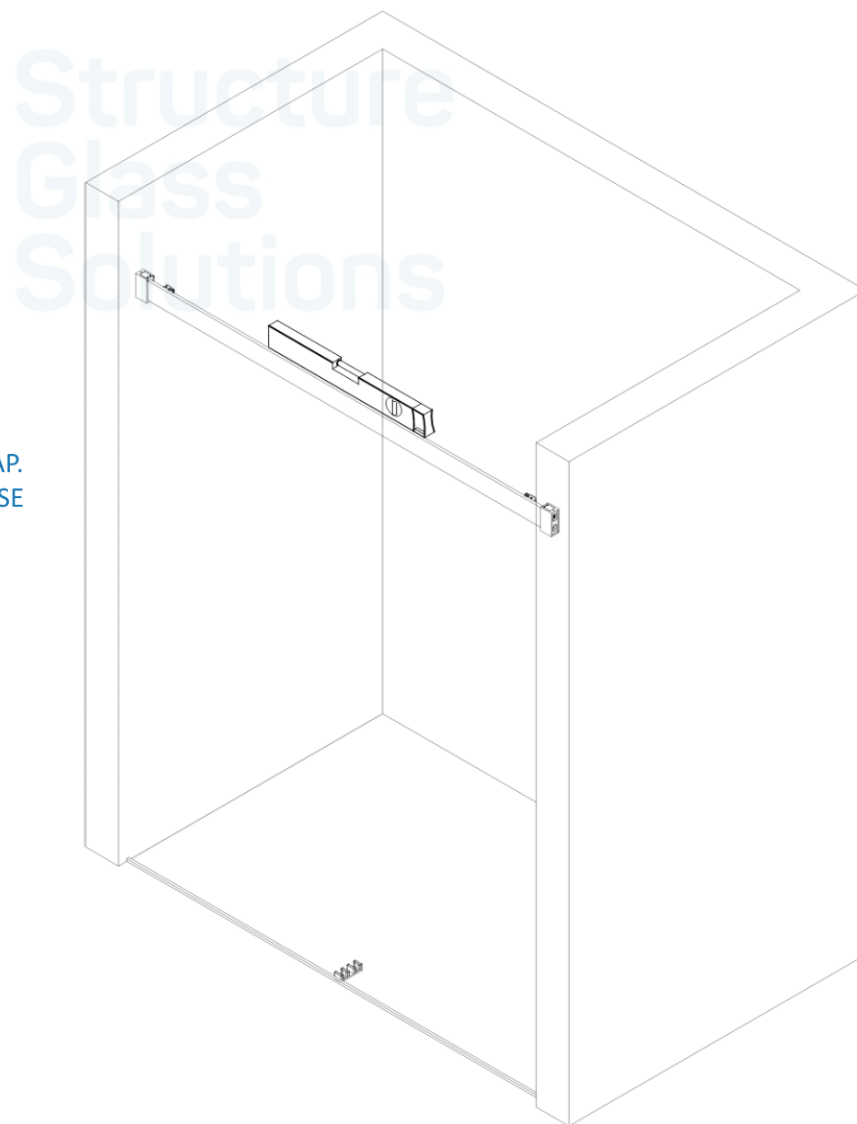
3. SLIDE TOP CAPS INTO THE WALL BRACKETS.



4. USE ALLEN KEY TO SECURE THE TOP CAP. USE ADJUSTABILITY SCREW ON THE BASE TO LEVEL THE HEADER TRACK.



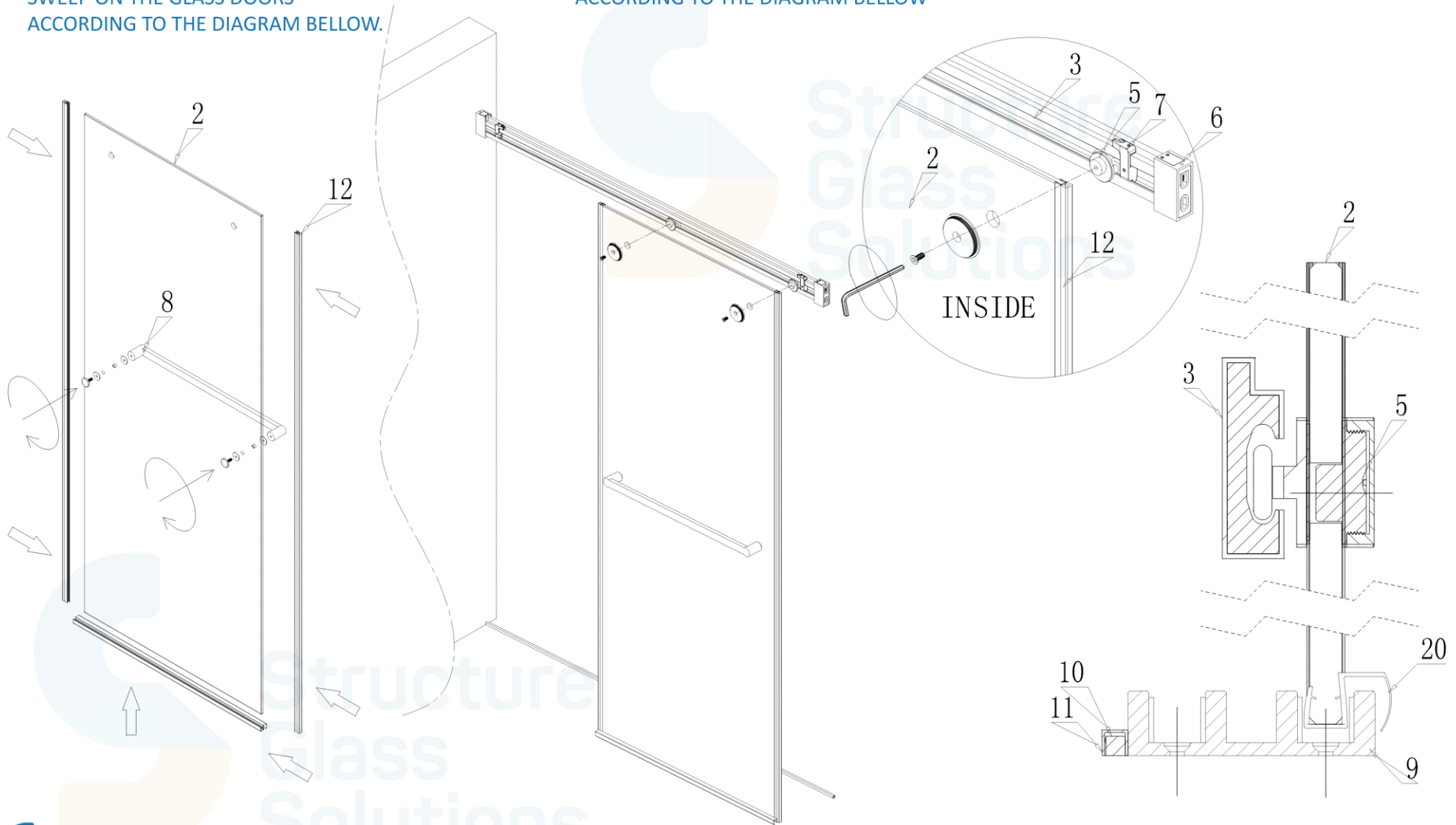
5. ADJUST HEADER TRACK UNTIL ITS COMPLETELY HORIZONTAL.



# SLIDING DOORS INSTALLATION

1. PLACE BUMPER STIPS AND BOTTOM SWEEP ON THE GLASS DOORS ACCORDING TO THE DIAGRAM BELOW.

2. INSTALL INTERIOR DOOR ON HEADER TRACK ACCORDING TO THE DIAGRAM BELOW



INTERIOR DOOR PROFILE

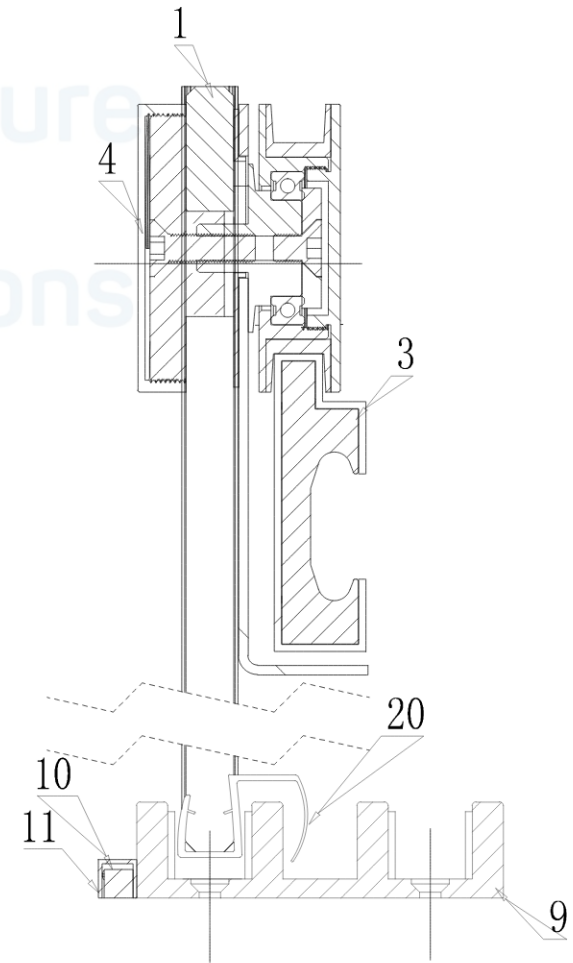
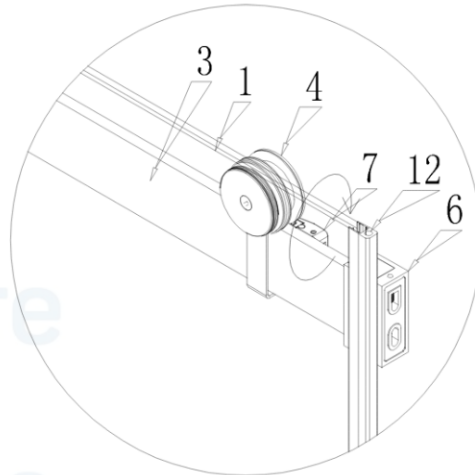
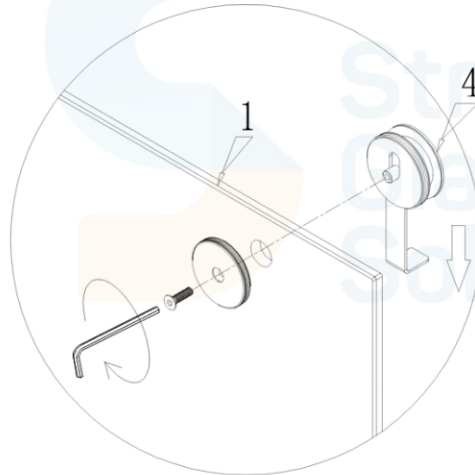
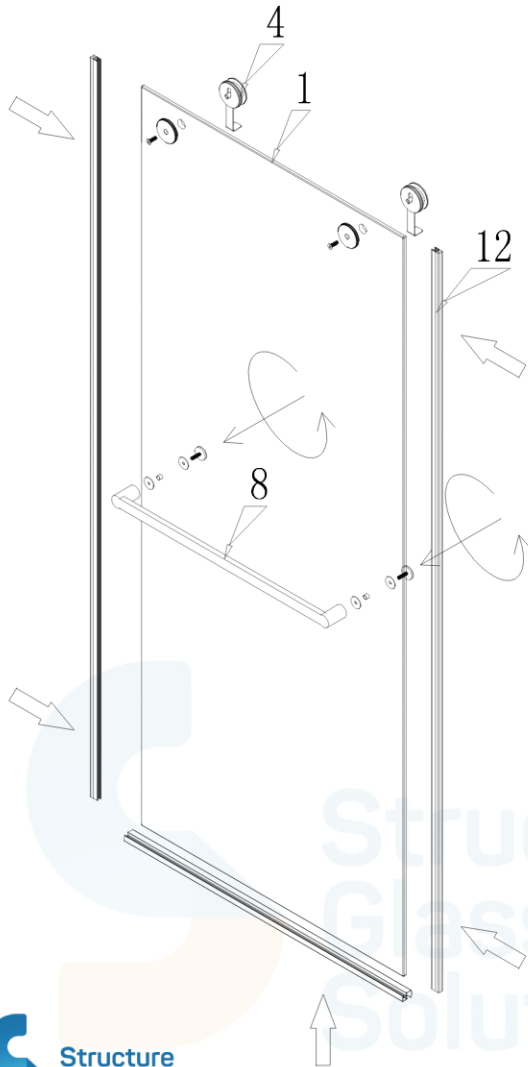




# SLIDING DOORS INSTALLATION

1. PLACE BUMPER STIPS AND BOTTOM SWEEP ON THE GLASS DOORS ACCORDING TO THE DIAGRAM BELOW.

2. INSTALL EXTERIOR DOOR ON HEADER TRACK ACCORDING TO THE DIAGRAM



EXTERIOR DOOR PROFILE



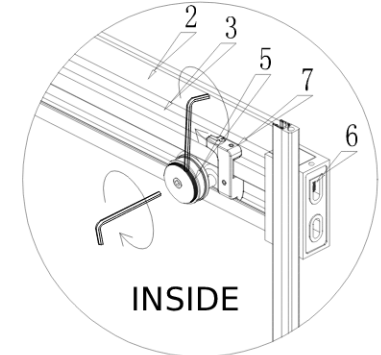
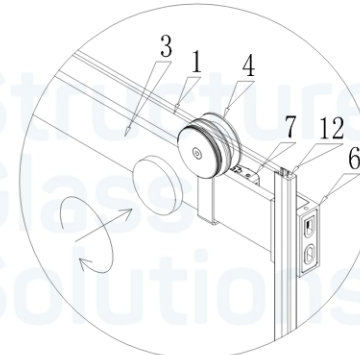
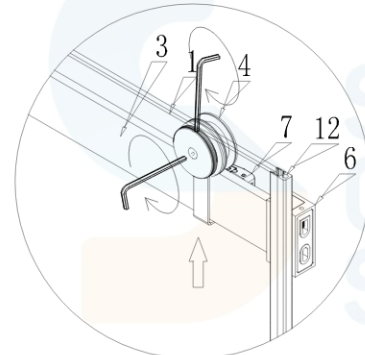
# SLIDING DOORS INSTALLATION

1. LEVEL BOTH GLASS DOORS UNTILL THEY ARE PARALLEL WITH THE WALL

2. USE ADJUSTABILITY SCREW TO LEVEL THE ROLLERS AND SECURE THEM IN THE HEADER

3. SCREW CAP ON ROLLER TO COVER THE SCREWS

4. USE ADJUSTABILITY SCREW TO LEVEL THE ROLLERS AND SECURE THEM IN THE HEADER

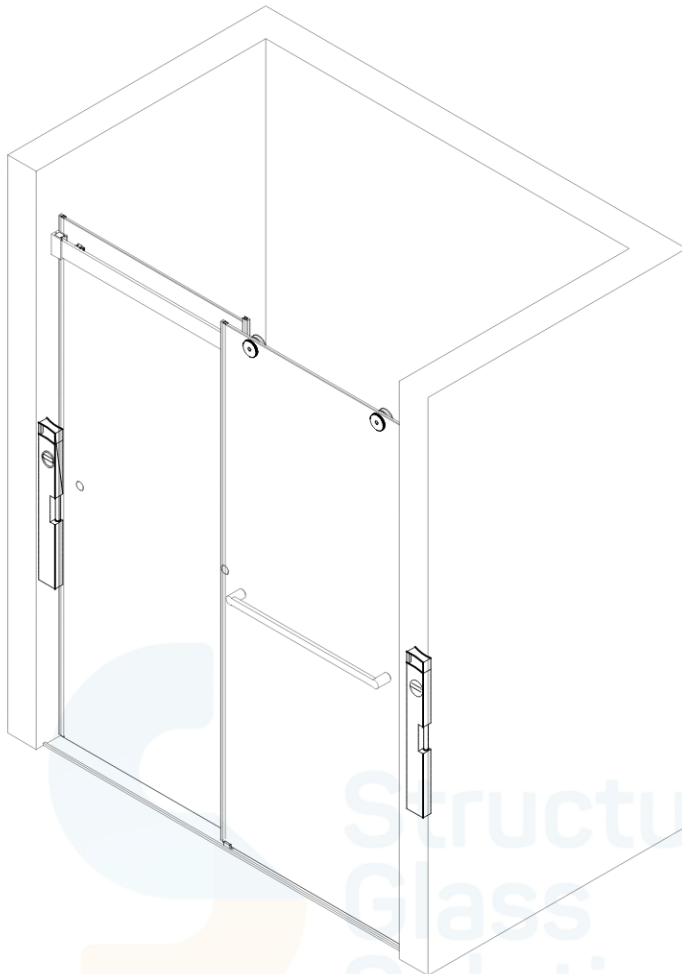
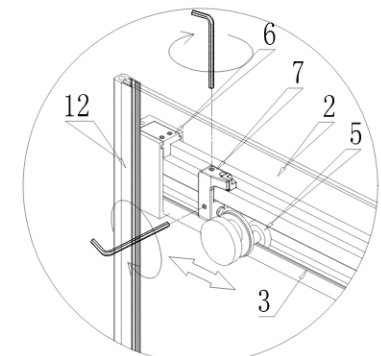
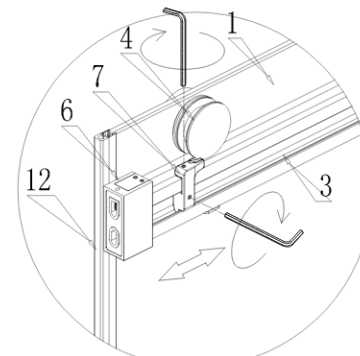
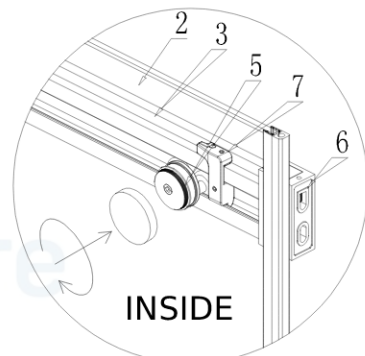


ANTI-JUMPING DEVICE SHOULD BE PULLED DOWN DURING INSTALLATION AND PUSHED BACK UP TOWARDS BOTTOM OF THE HEADER, 1/16" SPACING

5. SCREW CAP ON ROLLER TO COVER THE SCREWS.

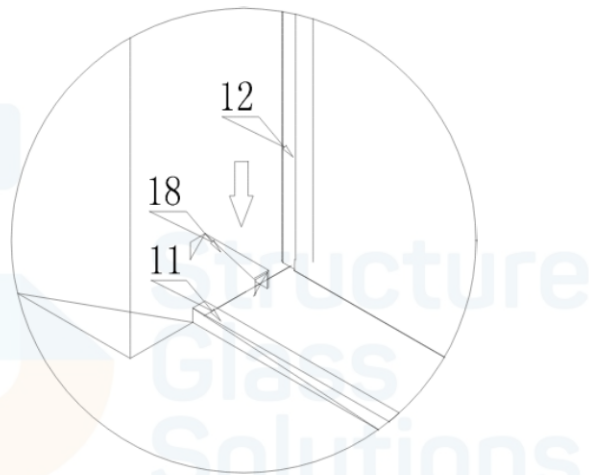
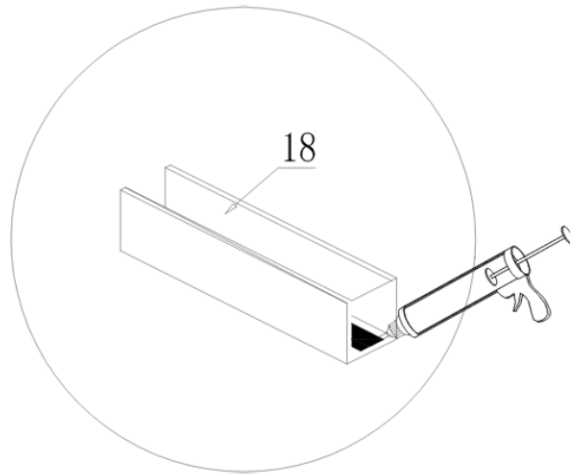
6. SECURE DOOR STOPPERS IN PLACE

7. SECURE DOOR STOPPERS IN PLACE



# ELEMENT SLIDING SYSTEM INSTALLATION

1. IF NEEDED, APPLY THRESHOLD COVER EXTENSIONS (PROVIDED WITH THE KIT) WITH SILICONE AT THE ENDS OF THE THRESHOLD



2. SEAL ENTIRE UNIT USING SILICONE. ALLOW A **MINIMUM OF 24 HOURS** FOR SILICONE TO CURE BEFORE USING UNIT (TIME MAY VARY DEPENDING ON TEMPERATURE AND HUMIDITY)

